

REGULATION

- Touch screen regulation
- Fully equipped with temperature and pressure sensors
- 4 control alternatives: controller, BMS (via ModBUS RTU), service software, WiTouch
- Possibility to connect 2 controllers thanks to dual ModBUS
- Monozone CAV or DCV, multizone VAV or DCV ventilation
- Integrated Automatic antifreeze protection - preheater, By-pass, Air flow decrease
- Integrated time switch (week or day)
- Automatic detection of heating / cooling (DX, C/O)
- Possibility of connecting air quality sensors (CO₂ sensor, RH sensor, PIR motion sensor and other sensors with output 0-10V)
- Boost, freecooling regimes



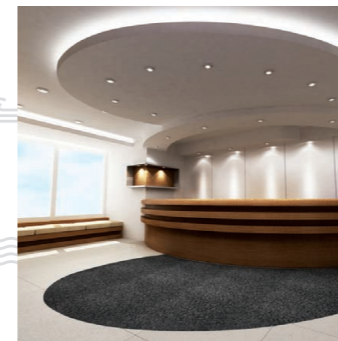
WITOUCH

- Complete control system with many extending functions
- Possibility to connect and to control up to 32 products (96 with additional extender)
- Remote control via internet with possibility to connect any smart device
- Android - main controller with WiTouch application (iOS, Android, Windows, Linux - via web browser)
- Graphic display of current operating situation and history savings
- Remote support of the 2VV technical operators via internet
- Wireless communication available



SOFTWARE SUPPORT

- Service software
- Selection program Choose&GO



Do you need more information?
Contact us on our website or via email:

www.2vv.cz
2vv@2vv.cz

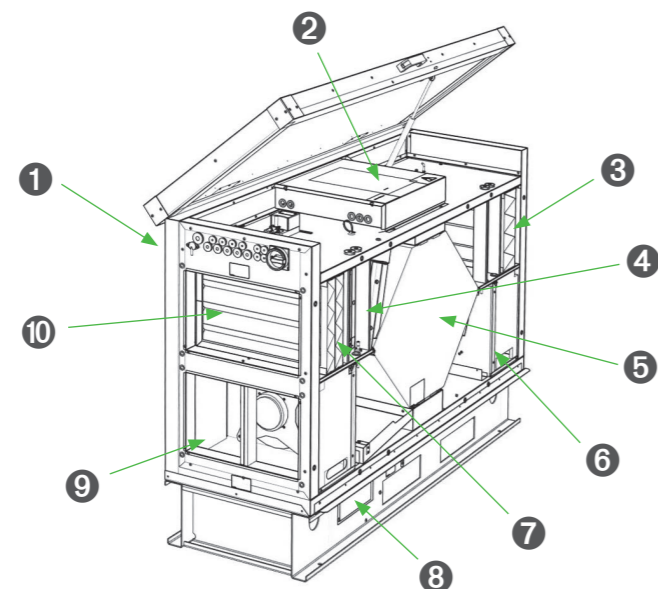


ALFA 95
alfa omega of your ventilation

ALFA 95

Wide and flexible range of highly efficient heat recovery units for indoor/outdoor installations designed for commercial application such as **offices, coffee bars, restaurants and sport facilities**. ALFA 95 is a fully equipped unit with automatic regulation which always provides the most effective ventilation of premises.

- 1 Thermal and noise insulation 50 mm
- 2 Wide range of quality sensors
- 3 Easy filter replacement
- 4 Integrated electric preheater
- 5 Counterflow aluminium heat exchanger with heat recover efficiency up to 93%
- 6 Optional water/electric afterheater, C/O and DX
- 7 Continuous by-pass
- 8 Heated syphon
- 9 Energy-efficient and silent EC fans with low SFP
- 10 G4 and F7 filters



WIDE OUTPUT RANGE

- Air flow from 800 to 5,500 m³/h
- Horizontal and vertical version
- Indoor and outdoor installation



Horizontal

800; 1,500; 2,500; 3,500 m³/h

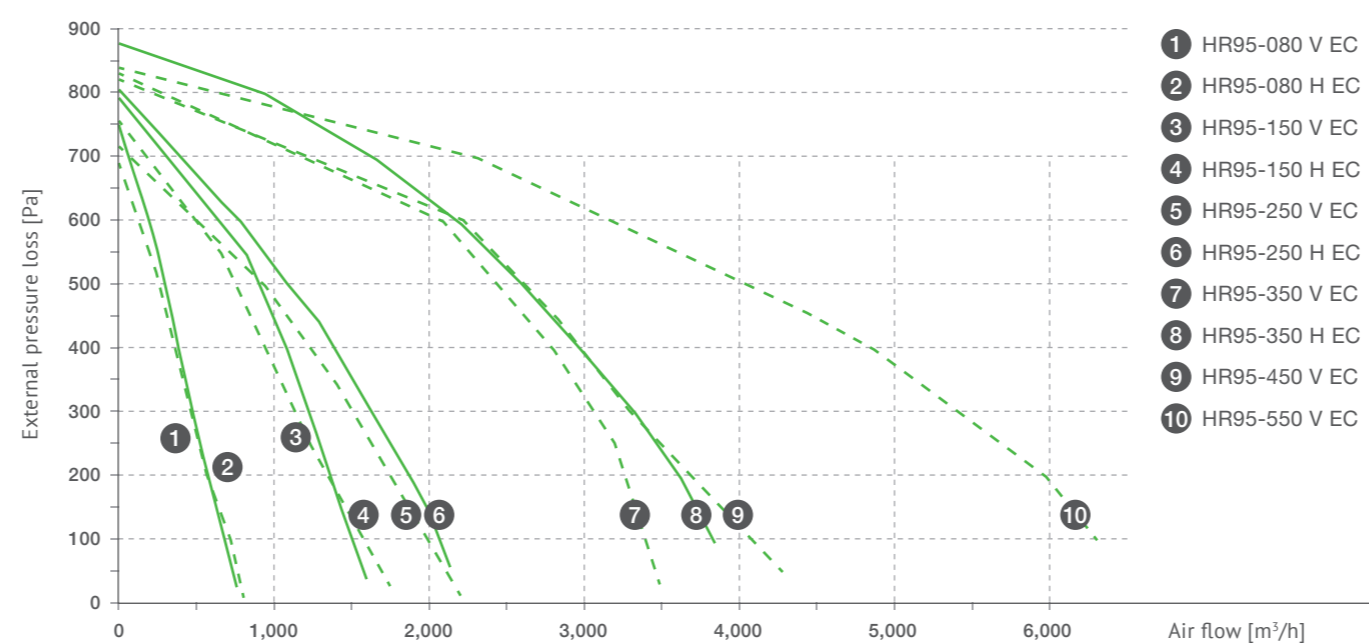


Vertical

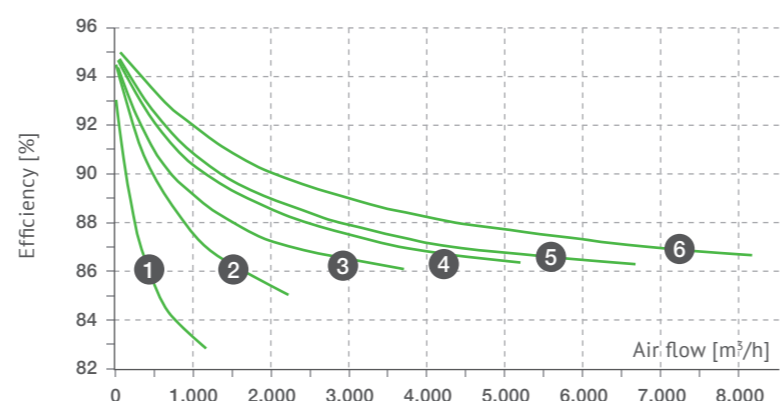
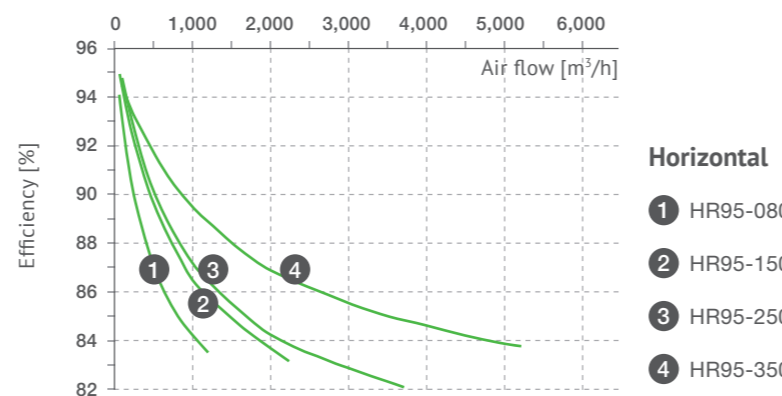
800; 1,500; 2,500; 3,500; 4,500 and 5,500 m³/h



PERFORMANCE CHARACTERISTICS



HIGH HEAT RECOVERY EFFICIENCY



ALFA 95

EC FANS

- Radial fans with backward curved blades (EBM)
- High efficiency
- Low SFP
- Silent operation
- Fluent regulation of the fan speed

CONSTRUCTION

- Compact unit
- Construction without thermal bridges
- Suitable for indoor and outdoor installation down to -20 °C
- Sandwich panels with increased thermal and noise insulation (50 mm)
- Easy to service = segmentally divided access door (not more than 25 kg)
- Cover with a gas strut
- Anchoring and handling base
- Double corrosion protection (galvanized steel + powder painting)
- Heated syphon
- Insulated regulation

